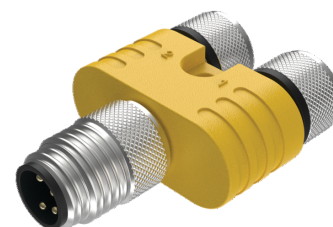
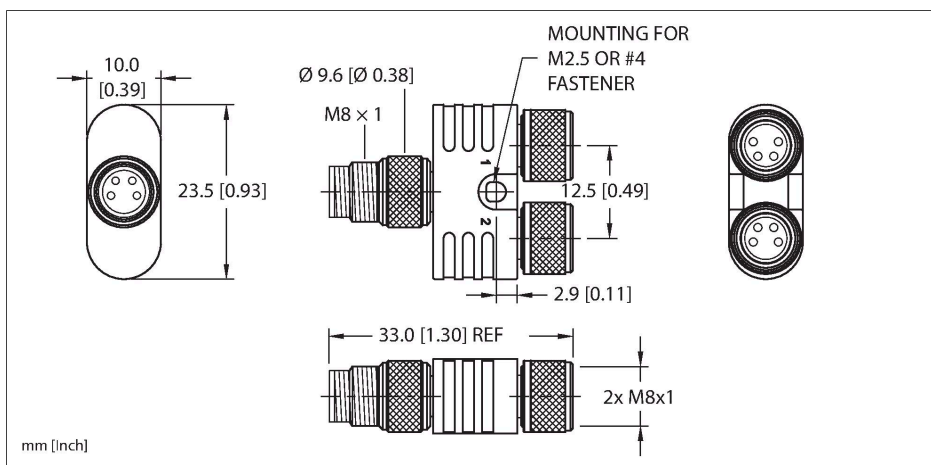


YP2-MFS4/2MFK4/S651

Actuator and Sensor Splitter – M8 Splitter 4-Wire



Features



- Close coupled
- M8, Male, Straight, 4-pin
- Threaded connector
- Parallel wiring
- 2x M8, Female, Straight, 4-pin
- Threaded connector

Contact assignment

Connector A

Connector B



Technical data

Type	YP2-MFS4/2MFK4/S651
ID	U2-12911
Distributed I/O	Splitter, 2 -port
Housing	Plastic, TPU, Yellow
Connector A	Male, M8 × 1
Design specification	Acc. to IEC 61076-2-104
Number of contacts	4
Contacts	Brass, CuZn, Gold-plated
Contact carriers	Plastic, Nylon or TPU, Black
Connector body	Plastic, TPU, Yellow
Coupling nut	Brass, CuZn, Nickel-plated
Tightening torque (range)	0.4 ... 0.8 Nm (note max. torque of mating connector!)
Mechanical life	> 100 Mating cycles
Pollution degree	3
Protection class (When coupled)	IP67
Connector B	Female, M8 × 1
Design specification	Acc. to IEC 61076-2-104
Number of contacts	4
Contacts	Brass, CuZn, Gold-plated
Contact carriers	Plastic, Nylon or TPU, Black
Connector body	Plastic, TPU, Yellow
Coupling nut	Brass, CuZn, Nickel-plated

Technical data

Seal	O-ring, Plastic, FKM/FPM
Tightening torque	0.8 Nm
Mechanical life	> 100 Mating cycles
Pollution degree	3
Protection class (When coupled)	IP67
Electrical properties at +20 °C	
Rated voltage	125 VAC/DC
Current	2 A
Mechanical and chemical properties	
Ambient temperature range (static)	-30...+80 °C
Approvals	RoHS UL Listed CE
Note	
- We reserve the right to make technical alterations without prior notice.	

Circuit Diagram

