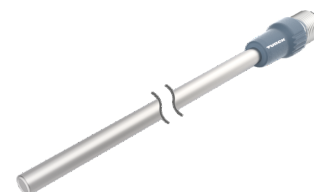
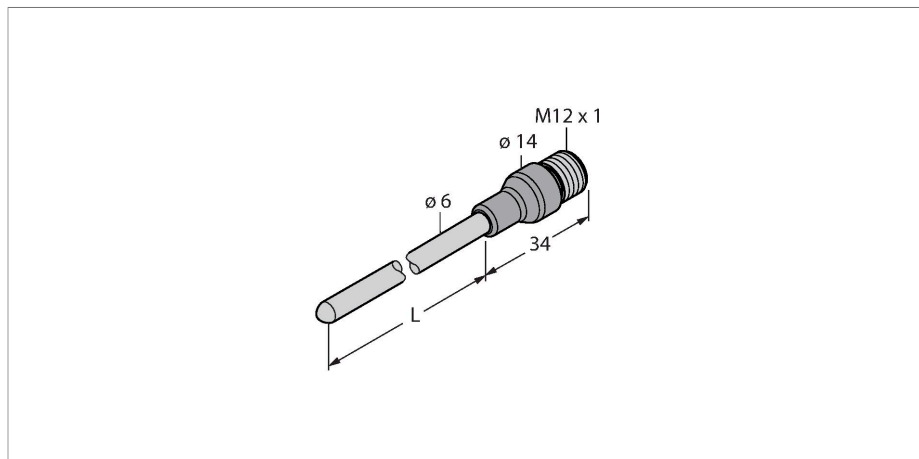


# TP-206A-CF-H1141-L100

## Temperature Detection – Probe



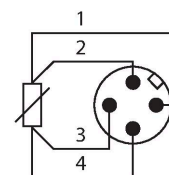
### Technical data

Type	TP-206A-CF-H1141-L100
ID	9910475
<b>Temperature range</b>	
Measuring range	-50...500 °C
	-58...932 °F
Accuracy	$\pm 0.15 \text{ K} + 0.002 \cdot  t $ (-30...300 °C)
Measuring element	Pt100, DIN EN 60751, class A; connection mode: 4-wire connection
Self-heating	0.4 K/mW at 0 °C
Response time	$t_{0.5} = 6 \text{ s} / t_{0.9} = 15 \text{ s}$ in water at 0.2 m/s
Immersion depth (L)	100 mm
Process Pressure	100 bar
<b>Mechanical data</b>	
Housing material	Stainless steel, 1.4404 (AISI 316L)
Process connection	For compression fittings, thermowell or direct mounting
Electrical connection	Connector, M12 × 1
Protection class	IP67
<b>Environmental conditions</b>	
Ambient temperature	-40...+120 °C
Storage temperature	-40...+85 °C
<b>Tests/approvals</b>	
UL registration number	E345414

### Features

- Process connection via compression fitting or thermowell
- Connection mode: 4-wire connection

### Wiring diagram



### Functional principle

Resistance thermometers are used for the detection and monitoring of temperatures to optimize and control a process. Typical applications are in machine and plant construction as well as in the process industry. The core element of the temperature probe is a temperature-dependent resistor.

## Technical data

### Reference conditions acc. to IEC 61298-1

Temperature	15...+25 °C
Atmospheric pressure	860...1060 hPa abs.
Humidity	45...75 % rel.
Auxiliary power	24 VDC
MTTF	2283 years acc. to SN 29500 (Ed. 99) 20 °C

## Technical data

Type TP-206A-CF-H1141-L100

ID 9910475

### Temperature range

Measuring range -50...500 °C

-58...932 °F

Accuracy  $\pm 0.15 \text{ K} + 0.002 \cdot |t|$  (-30...300 °C)

Self-heating 0.4 K/mW at 0 °C

Measuring element Pt100, DIN EN 60751, class A;  
connection mode: 4-wire connection

Response time  $t_{0.5} = 6 \text{ s}$  /  $t_{0.9} = 15 \text{ s}$  in water at 0.2 m/s

Immersion depth L 100 mm

Outer diameter 6 mm

Protection class IP67

### Environmental conditions

Ambient temperature -40...+120 °C

Storage temperature -40...+85 °C

### Mechanical data

Housing material Stainless steel, 1.4404 (AISI 316L)

Sensor material Stainless steel, 1.4404 (AISI 316L)

Process connection For compression fittings, thermowell or direct mounting

Process Pressure 100 bar

Electrical connection Connector, M12 × 1

Core cross-section 4 mm<sup>2</sup>

### Reference conditions acc. to IEC 61298-1

Temperature 15...+25 °C

Atmospheric pressure 860...1060 hPa abs.

Humidity 45...75 % rel.

## Technical data

Auxiliary power	24 VDC
<b>Tests/approvals</b>	
Approvals	cULus
UL registration number	E345414
MTTF	2283 years acc. to SN 29500 (Ed. 99) 20 °C