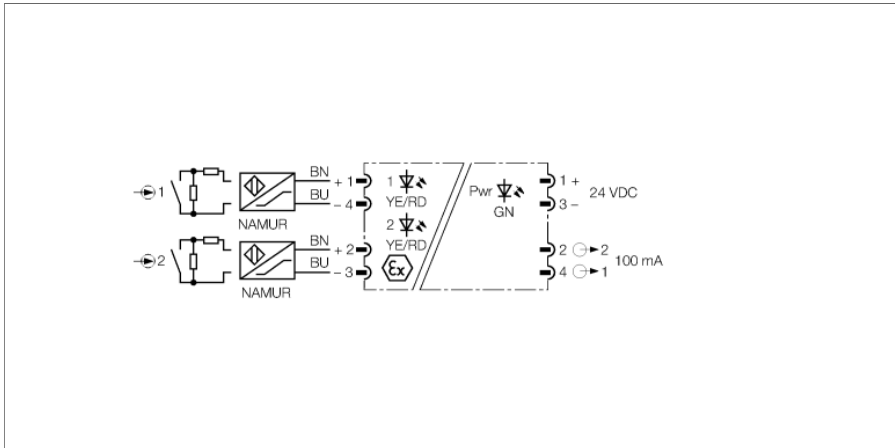


Isolating switching amplifier 2-channel IMC-DI-22EX-PNO/24VDC

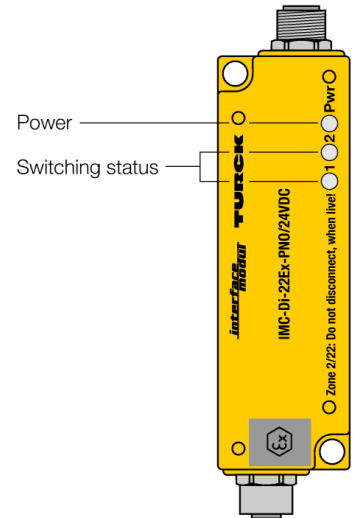


The 2-channel IMC-Di-22Ex-PNO/24VDC isolating switching amplifier is equipped with intrinsically safe input circuits.

Sensors according to EN 60947-5-6 (NAMUR), variable resistors or potential free contacts can be connected to the device.

The output circuits feature 2 NO transistors. A green LED indicates operational readiness.

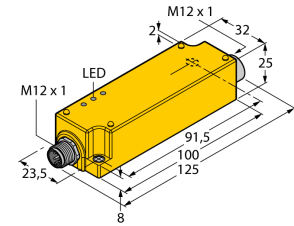
The device must be protected against mechanical load on connector and housing when mounted in zone 2 or 22. For this, use the TURCK cover plate IMC-SG (ident no.7560016).



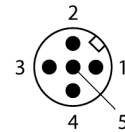
- Isolating switching amplifier, 2-channel
- Line monitoring for wire break / short circuit
- PNP transistor output NO
- Complete galvanic isolation
- Input reverse-polarity protected
- Protection class IP67
- Connection with M12 male connectors
- ATEX, IECEx, cFM_{us}, TR CU
- Installation in zone 2/22

ID	7560003
Nominal voltage	24 VDC
Operating voltage U_s	20...30 VDC
NAMUR input	
NAMUR	EN 60947-5-6
No-load voltage	8.2 VDC
Short-circuit current	8.2 mA
Input resistance	1 k Ω
Cable resistance	$\leq 50 \Omega$
Switch-on threshold	1.55 mA
Switch-off threshold	1.75 mA
Output circuits	
Voltage drop	$\leq 2.5 V$
Semiconductor output circuits	
Output circuits (digital)	2 x transistors (pnp, short-circuit proof)
Switching voltage	$\leq 30 VDC$
Switching current per output	$\leq 0.1 A$
Switching frequency	$\leq 3000 Hz$
Galvanic isolation	
Test voltage	2.5 kV RMS
Important note	
	The values provided below indicate the relevant markings associated with the product's Ex certificates.
Ex approval acc. to conformity certificate	TÜV17 ATEX195767X
Application area	II (1) GD
Ignition protection category	[Ex ia] IIC/IIB
Ignition protection type	II 3 (1) Ex ec [ia Ga] IIC T4 Gc / Ex tc [ia Da] IIIB T96°c Dc
Approval	SIL 2 acc. to EXIDA FMEDA
Displays/Operating elements	
Operational readiness	Green
Switching state	Yellow
Error indication	red
Mechanical data	
Protection class	IP67
Ambient temperature	-25...+70 °C
Storage temperature	-40...+80 °C
Dimensions	100 x 32 x 25 mm
Weight	166 g
Mounting instructions	panel
Housing material	Plastic, Polycarbonate/ABS
Electrical connection	M12 receptacle
Tightening torque	3.5 Nm

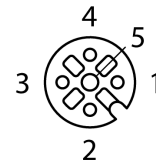
Dimensions



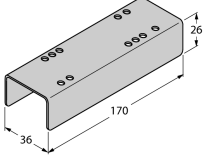
Pin assignment male M12



Pin assignment female M12 (intrinsically safe end)



Accessories

Type code	Ident-No.		Dimension drawing
IMC-SG	7560016	Metal cover plate for IMC modules (required for application in zones 2/22)	
SC-M12/3GD	6900390	Captive safety clip for sensors with M12 x 1 connectors and approval acc. to ATEX II 3 G or II 3 D.	