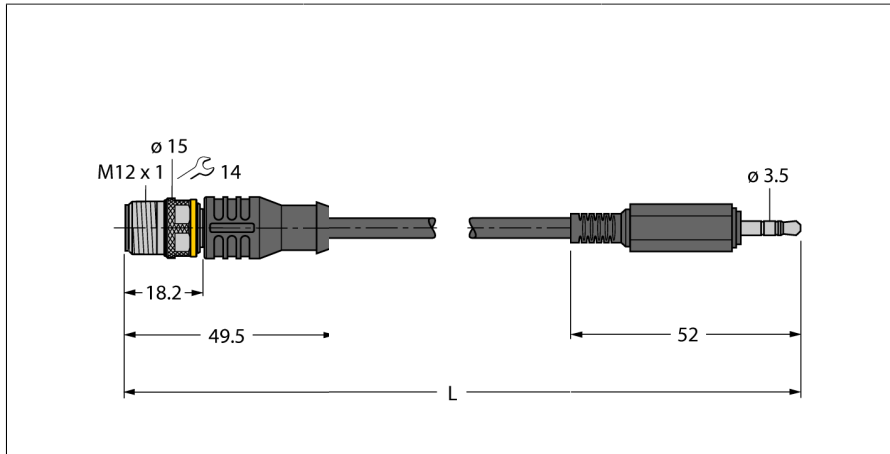


Accessories

IO-Link Communication Line

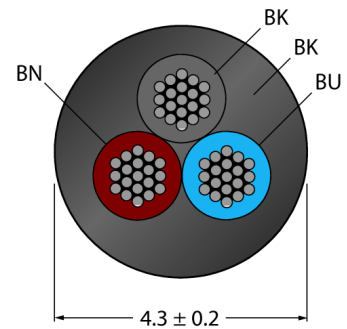
Extension Cable

IOL-COM/3M



- Straight Male M12 eurofast Connector

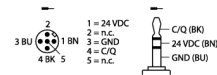
Cable Cross-Section



Type	IOL-COM/3M
ID	7525110

Connector A	Male, M12 × 1, Straight
Number of contacts	5
Contact carriers	Plastic, TPU, Black
Connector body	Plastic, TPU, Black
Coupling nut	Brass, CuZn, Nickel-plated
Tightening torque (range)	0.8 ... 1 Nm
Mechanical life	> 100 Mating cycles
Pollution degree	3
Protection class (When coupled)	IP67, Only in screwed condition

Pin Assignment



Connector B	Male, Straight
Number of contacts	1
Contact carriers	Plastic, Black
Connector body	Plastic, PVC, Black

Cable diameter	Ø 4.3mm
Length (L)	3 m m
Cable jacket	PUR, Black
Conductor insulation material	PP
Conductor size	3 x 0.34 mm ²
Number of strands x O.D.	22
Conductor colors	BN, BU, BK

Electrical properties at +20 °C

Mechanical and chemical properties	
Ambient temperature range (static)	-50°C...+80°C°C
Ambient temperature range (dynamic)	-25°C...+80°C°C

Note	- We reserve the right to make technical alterations without prior notice.
------	--

Functional principle

The communication line IOL-COM/3M connects the IO-Link master with the IO-Link device. For this purpose plug the M12 connector to the master and the 3.5 mm jack plug to the device. The IOL-COM/3M is not used to supply the device with power.

The device can be operated either in IO-Link (IOL) or in standard IO (SIO) mode via the IO-Link interface. SIO mode is the normal operating mode of the switching outputs whereas IOL mode enables serial transmission of digital process values.

The devices are parametrized software-supported via IO-Link interface, for example via the device specific IODD/DTM within the FDT frame PACTware™ or near the control via On-Request Data Objects (ORDO).

