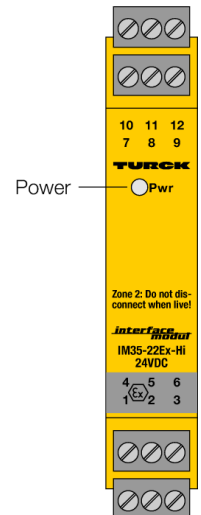
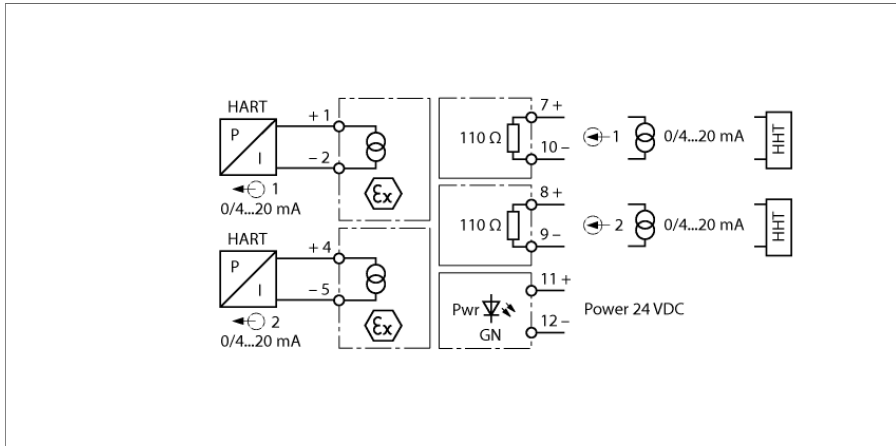


# Analog Signal Isolator 2-channel IM35-22EX-HI/24VDC



The 2-channel IM35-22EX-HI/24VDC signal isolator is designed to transmit the normalized current signal galvanically isolated 1:1 from the non-Ex area to the Ex-area. In addition to the analog signal, also digital HART® communication signals can be transmitted bidirectionally.

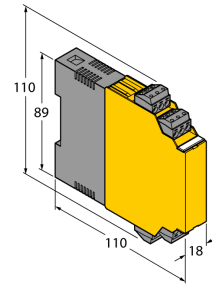
Typical applications are for example, the control of I/P converters (at control valves for example) or indicators in the Ex-area.

The actuators are connected to the output terminals 1/2 and 4/5. Handheld terminals [HHT] can be connected to the output and input terminals 7/10 and 8/9.

In addition, the removable terminal blocks are equipped with 2 mm test sockets for signal control.

- Intelligent actuators supplied via HART communication interface
- Input circuits: 0/4...20 mA
- Output circuits: 0/4...20 mA, intrinsically safe
- SIL2
- Removable terminal blocks, screwable, with 2 mm test box
- Complete galvanic isolation
- Input reverse-polarity protected
- ATEX, IECEx, UL, <sub>us</sub>FM, TR CU, KOSHA, CCOE
- Installation in zone 2

## Dimensions



ID	7506515
Nominal voltage	24 VDC
Operating voltage $U_s$	19...29 VDC
Power consumption	$\leq 2.2$ W
Input current	0/4...20 mA
Input resistance (current)	$\leq 110 \Omega$
Output circuits	
Output current	0/4...20 mA
Load resistance current output	$\leq 0.6$ k $\Omega$
Response characteristic	
Rise time (10...90 %)	$\leq 90$ ms
Fall time (90...10 %)	$\leq 90$ ms
Measuring accuracy (including linearity, hysteresis and repeatability)	$\leq 0.1$ % of full scale
Reference temperature	23 °C
Temperature drift	$\leq 0.005$ % of full scale/K
Galvanic isolation	
Test voltage	2.5 kV RMS
Important note	The values provided below indicate the relevant markings associated with the product's Ex certificates.
Ex approval acc. to conformity certificate	TÜV 19 ATEX 244924 X
Application area	II (1) G, II (1) D
Ignition protection category	[Ex ia Ga] IIC; [Ex ia Da] IIIC
Ex approval acc. to conformity certificate	TÜV 06 ATEX 553057 X
Application area	II 3 G
Ignition protection type	Ex nA [ic Gc] IIC T4 Gc
Characteristic	trapezoidal
Important note	If the device is used in applications to achieve functional safety according to IEC 61508, the safety manual must be used. Information in the data sheet are not valid for functional safety.
Approval	SIL 2 acc. to EXIDA FMEDA
Use in SIL safety circuits	SIL 2 acc. to IEC 61508
Displays/Operating elements	
Operational readiness	Green
Mechanical data	
Protection class	IP20
Flammability class acc. to UL 94	V-0
Ambient temperature	-25...+70 °C
	-25 ... +60 °C für UL, FM
Storage temperature	-40...+80 °C
Dimensions	110 x 18 x 110 mm
Weight	172 g
Mounting instructions	DIN rail (NS35) or panel
Housing material	Plastic, Polycarbonate/ABS
Electrical connection	4 x 3-pin removable terminal blocks with test socket, reverse polarity protected, screw terminal
Terminal cross-section	1 x 2.5 mm <sup>2</sup> /2 x 1.5 mm <sup>2</sup>
Tightening torque	0.5 Nm

## Accessories

Type code	Ident-No.		Dimension drawing
IM-CC-3X2BU/2BK	6900475	Cage clamp terminals for IM modules (Ex-devices with 18 mm overall width); includes: 2 pcs. 3-pin blue terminals and 2 pcs. 3-pin black terminals.	