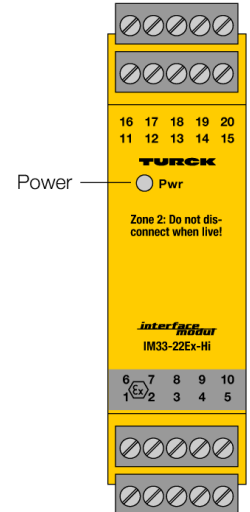
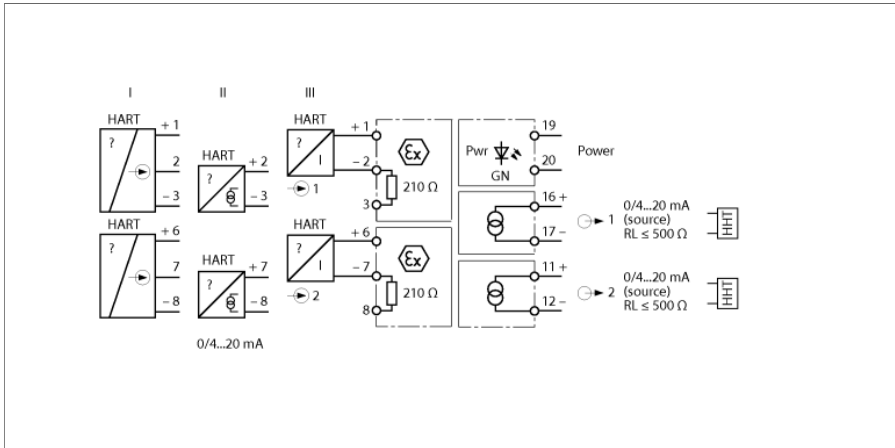


Isolating transducer 2-channel IM33-22EX-HI



The 2-channel HART®isolating transducer IM33-22EX-HI is designed to operate intrinsically safe HART®2-wire transducers (III) in the Ex area and to transmit the measured signals to the non-Ex area. In addition to the analog signals, also the digital HART®communication signals can be transmitted bidirectionally.

Alternatively, active 2-wire HART® transmitters (II) and passive 3-wire HART® transmitters (I) can be operated.

The device features 0/4...20 mA input and output circuits. A green LED indicates operational readiness.

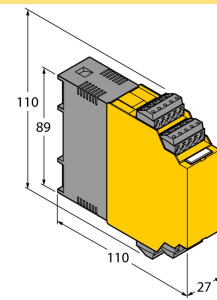
The input signals are transmitted 1:1 without interference and made available at the outputs in the non-Ex area.

The removable terminal blocks feature test sockets (Ø 2 mm) for connection of a HART® handheld.

- Power supply of 2-wire measuring transducers with HART communication as well as connection to active 2-wire and passive 3-wire transmitters
- Input circuits: 0/4...20 mA
- Output circuits: 0/4...20 mA
- Complete galvanic isolation
- Input reverse-polarity protected
- ATEX, IECEx, cFM_{US}, TR CU, INMETRO, NEPSI
- Installation in zone 2

Dimensions

ID	7506445
Nominal voltage	Universal voltage supply unit
Operating voltage	20...250 VAC
Frequency	40...70 Hz
Operating voltage U_o	20...125 VDC
Power consumption	≤ 3 W
Transmitter connection	
Supply voltage	17 V/20 mA typ.
Current	25 mA
Input current	0/4...20 mA
Input resistance (current)	$\leq 250 \Omega$
Output circuits	
Output current	0/4...20 mA
Load resistance current output	≤ 0.5 k Ω
Response characteristic	
Rise time (10...90 %)	≤ 50 ms
Fall time (90...10 %)	≤ 50 ms
Measuring accuracy (including linearity, hysteresis and repeatability)	≤ 0.1 % of full scale
Reference temperature	23 °C
Temperature drift	≤ 0.005 % of full scale/K
Galvanic isolation	
Test voltage	2.5 kV RMS
Important note	
	The values provided below indicate the relevant markings associated with the product's Ex certificates.
Ex approval acc. to conformity certificate	TÜV 05 ATEX 2910
Application area	II (1) G; II (1) D
Ignition protection category	[Ex ia Ga] IIC; [Ex ia Da] IIIC
Ex approval acc. to conformity certificate	TÜV 06 ATEX 2967 X
Application area	II 3 G
Ignition protection type	Ex nA [ic Gc] IIC T4 Gc
Characteristic	trapezoidal
Displays/Operating elements	
Operational readiness	Green
Mechanical data	
Protection class	IP20
Flammability class acc. to UL 94	V-0
Ambient temperature	-25...+70 °C
	-25 ... +60 °C für FM
Storage temperature	-40...+80 °C
Dimensions	110 x 27 x 110 mm
Weight	237 g
Mounting instructions	DIN rail (NS35) or panel
Housing material	Plastic, Polycarbonate/ABS
Electrical connection	4 x 5-pin removable terminal blocks with test socket, reverse polarity protected, screw terminal
Terminal cross-section	1 x 2.5 mm ² /2 x 1.5 mm ²
Tightening torque	0.5 Nm



Accessories

Type code	Ident-No.		Dimension drawing
IM-CC-5X2BU/2BK	7504031	Cage clamp terminals for IM modules (Ex-devices with 27 mm overall width); includes: 2 pcs. 5-pin blue terminals and 2 pcs. 5-pin black terminals.	