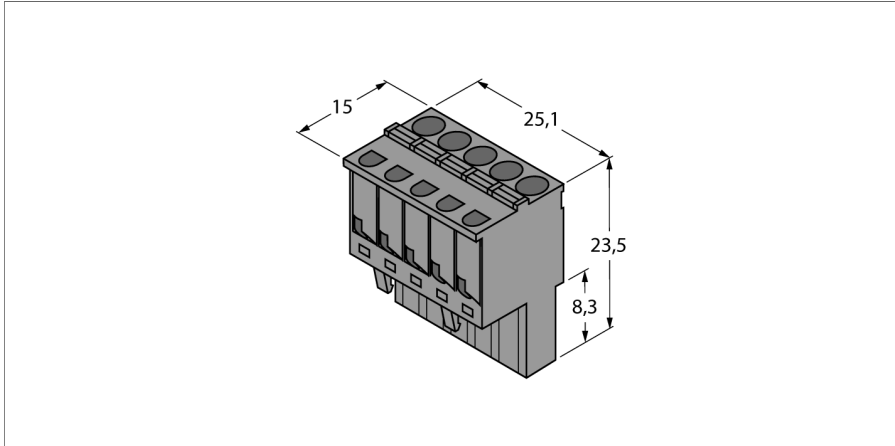


Accessories

Removable Spring-Type Terminals

IM-CC-5X2BU/2BK



- Removable cage clamp terminals for IM modules
- 5-pin
- Batch: 2 blue and 2 black clamps

Dimensions

| | |
|------------------|---------|
| ID | 7504031 |
| Protection class | IP20 |
| Weight | 36 g |

