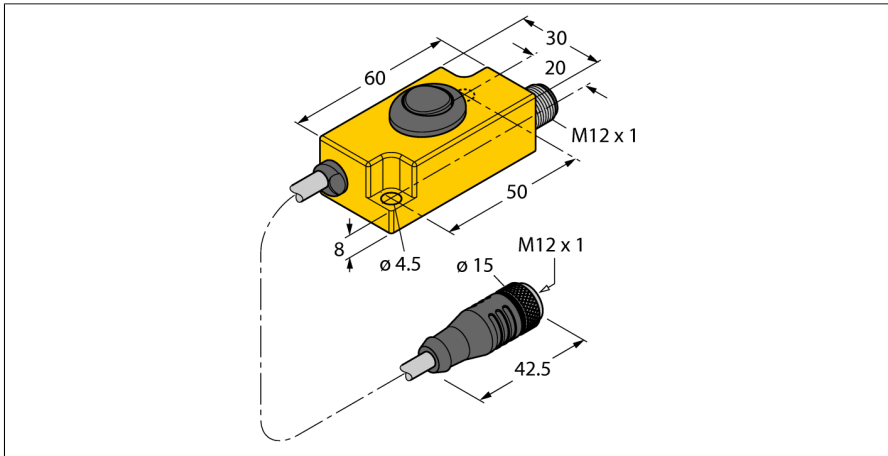


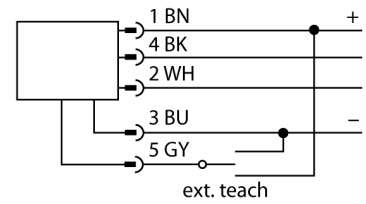
# Accessories

## Teach Adapter

### TX1-Q20L60



- Teach adapter
- For programming the measuring range of inductive linear position sensors Li-Q25L and Li-Q17L as well as inductive angle sensors Ri-QR14



#### Functional principle

The teach adapter is connected between sensor and cable. Lower and upper measuring range are set via DIP switch. The sensor can thus be adjusted easily to any application.

Type	TX1-Q20L60
ID	6967114
Dimensions	60 x 30 x 20 mm