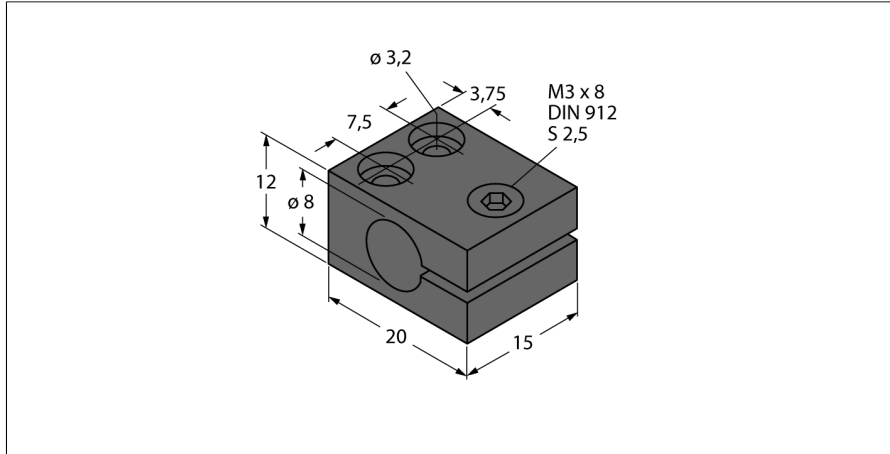


# Accessories

## Mounting Clamp

### MBS80



- Mounting Clamp
- Metal: Anodized aluminum

Type	MBS80
ID	69479
Design	Accessories for threaded barrels, M8
Dimensions	15 x 20 x 12 mm
Housing material	Metal, AL
Tightening torque fixing screw	2.8 Nm
Tightening torque	≤ 3.5 Nm