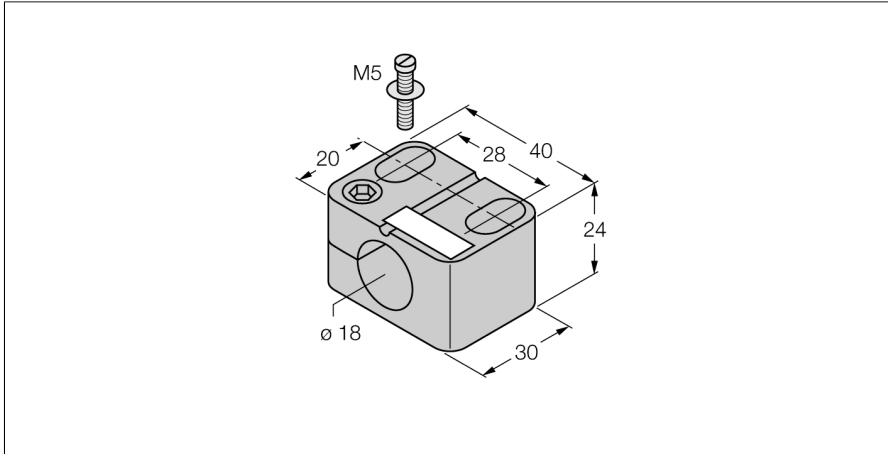


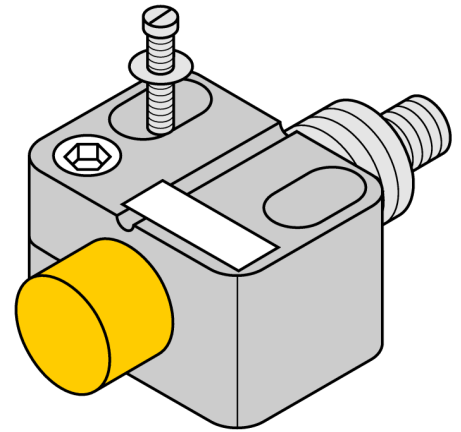
Accessories

Mounting Clamp

BST-18N



- Fixing clamp without dead-stop
- Plastic PA6



Type	BST-18N
ID	6947215
Design	Accessories for threaded barrels, M18
Dimensions	30 x 40 x 24 mm
Housing material	Plastic, PA6, Black
Max. tightening torque of housing nut	1 Nm