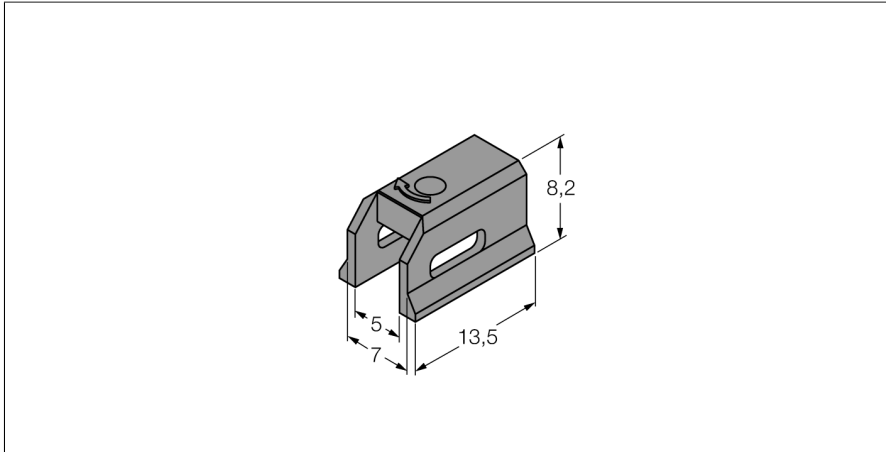


Mounting Accessories

Mounting Bracket

For Dovetail Groove Cylinders

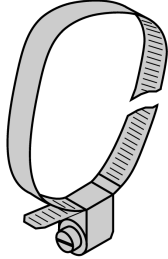
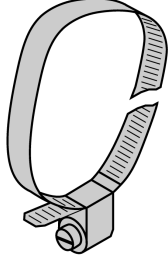
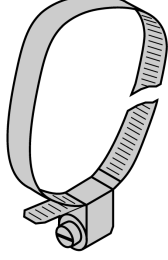
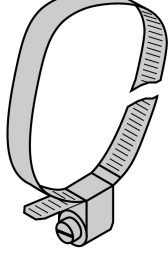
KLDT-UNT2



- Mounting on dovetail groove cylinders
- Groove width: 7 mm (e.g. Fabco-Air)
- Plastic: Polyphenylene sulfide (PPS)
- Also suited for round cylinders when used with ASB* clip collar

Type	KLDT-UNT2
ID	6913351
Design	Accessories
Dimensions	13.5 x 7 x 8.2 mm
Housing material	Plastic
Fixing clamp for correspondent cylinder diameter	alle

Accessories

Type code	Ident-No.		Dimension drawing
ASB-1	6965101	Clip collar for mounting brackets for magnetic field sensors on round cylinders; cylinder diameter: 7...11 mm; other lengths are available under designations ASB-1 to ASB-9	
ASB-2	6965102	Clip collar for mounting brackets for magnetic field sensors on round cylinders; cylinder diameter: 11...19 mm; other lengths are available under designations ASB-1 to ASB-9	
ASB-3	6965103	Clip collar for mounting brackets for magnetic field sensors on round cylinders; cylinder diameter: 18...29 mm; other lengths are available under designations ASB-1 to ASB-9	
ASB-4	6965104	Clip collar for mounting brackets for magnetic field sensors on round cylinders; cylinder diameter: 28...39 mm; other lengths are available under designations ASB-1 to ASB-9	
ASB-5	6965105	Clip collar for mounting brackets for magnetic field sensors on round cylinders; cylinder diameter: 38...49 mm; other lengths are available under designations ASB-1 to ASB-9	