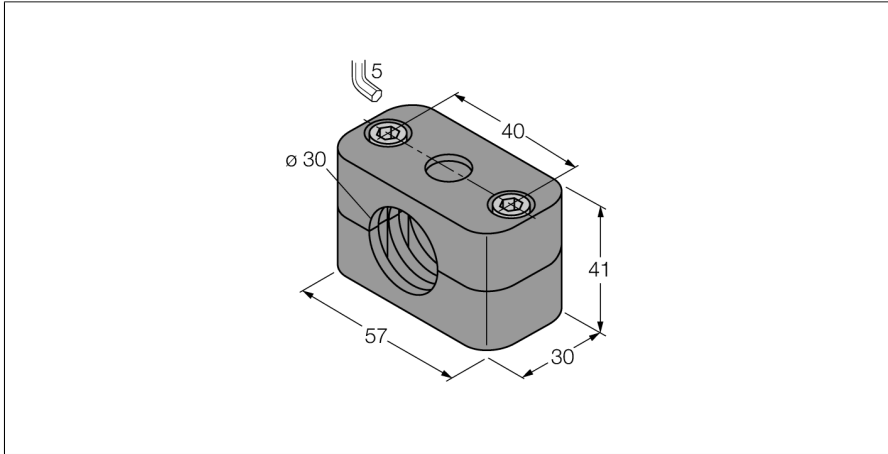


Accessories

Mounting Clamp

BSS-30

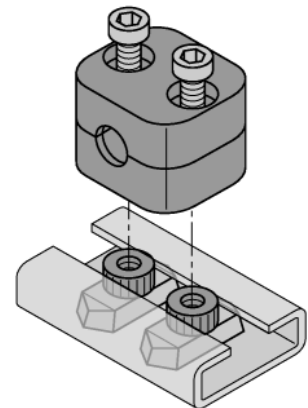
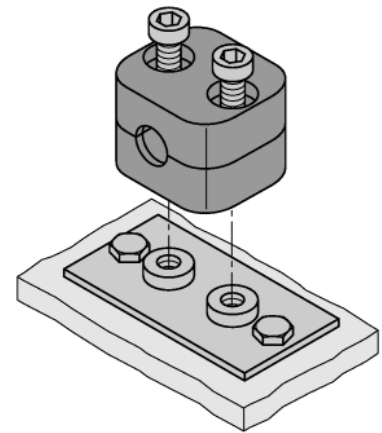


- Mounting accessories for M30x1.5 threaded barrel sensors
- Plastics, polypropylene

General description

The portfolio consists of two half-shells and two Allen screws each. Optionally, welding plates or DIN rail nuts can be used (to be ordered separately).

Type	BSS-30
ID	6901319
Design	Accessories for threaded barrels, M30
Dimensions	30 x 57 x 41 mm
Housing material	Plastic, PP, Green
Max. tightening torque of housing nut	1 Nm
Included in delivery	2 x Allen screws, M6



Accessories

Type code	Ident-No.		Dimension drawing
BSS-TSM 2 pcs	6901323	DIN rail nut for BSS and BSM mounting clips, for mounting on DIN rails	