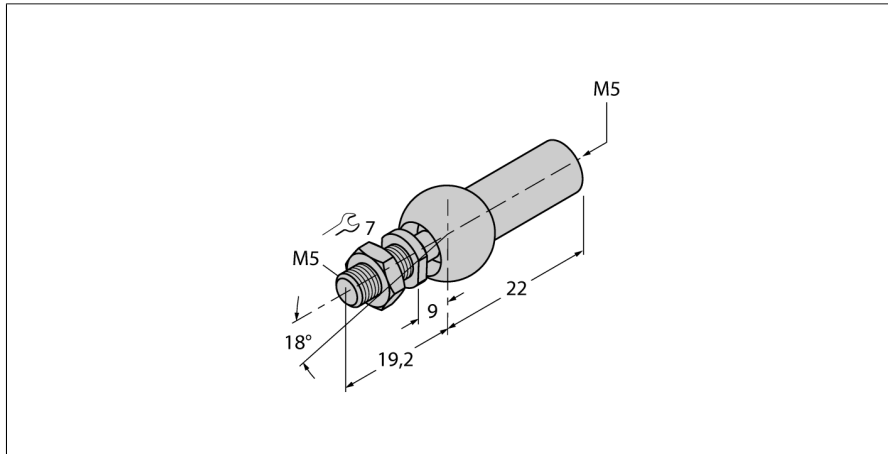


Accessories

Axial Joint for Guided Positioning Elements

ABVA-M5



- Axial joint for M5 thread
- Stainless steel, 1.4305

Type	ABVA-M5
ID	6901058
Housing material	Stainless steel