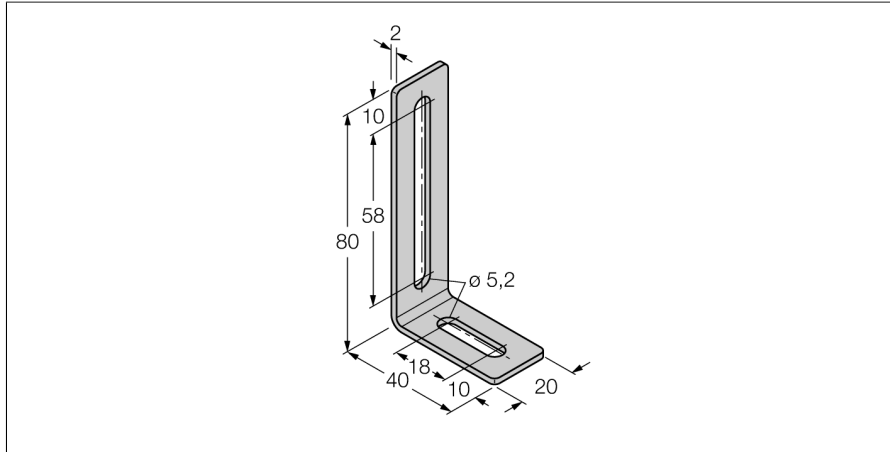


Accessories

Mounting Bracket

For Linear Position Sensors LI-Q25L

M4-Q25L



- Mounting bracket and sliding block for linear position sensors Q25L
- Stainless steel
- Packaging unit: 2 pcs.
- Incl. 2 x MN-M4-Q25

Type	M4-Q25L
ID	6901048
Included in delivery	Sliding blocks and screws