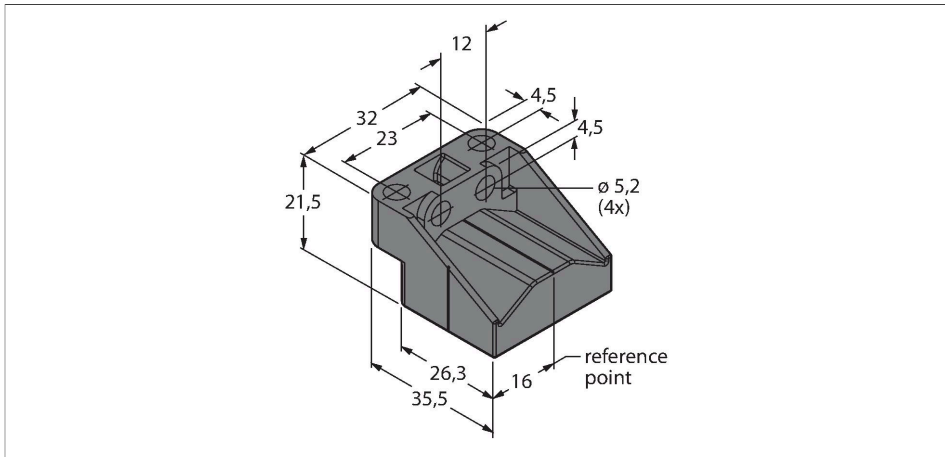


P3-LI-Q25L

Accessories – Positioning Element For Linear Position Sensors LI-Q25L

Features

- Free positioning element
- 90° offset application
- Installation up to 4mm away from the sensor.



Technical data

Type	P3-LI-Q25L
ID	6901044
Design	P3-Li-Q25L
Housing material	Plastic