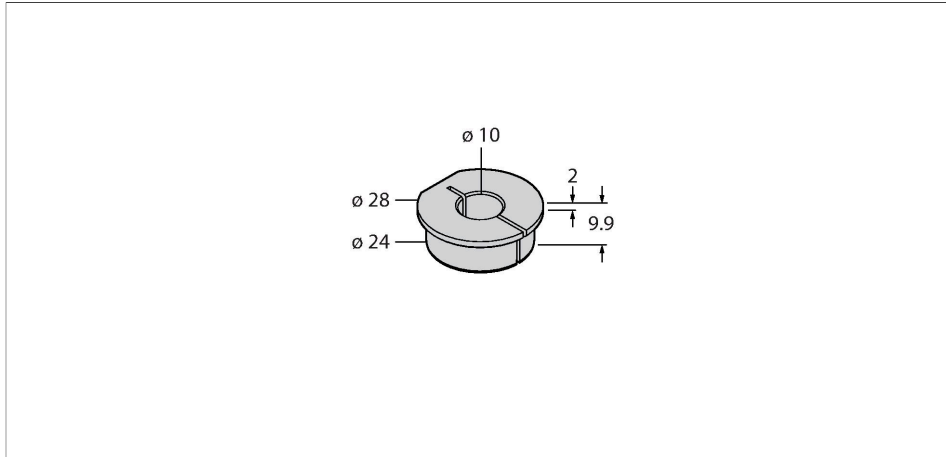


RA4-EQR24

Accessories – Adapter Sleeve

For Encoders RI-QR24



Features

- Adapter sleeve 10 mm
- Stainless steel: 1.4404 V4A

Technical data

| | |
|------------------|-------------------------------------|
| Type | RA4-EQR24 |
| ID | 1593023 |
| Housing material | Stainless steel, 1.4404 (AISI 316L) |