

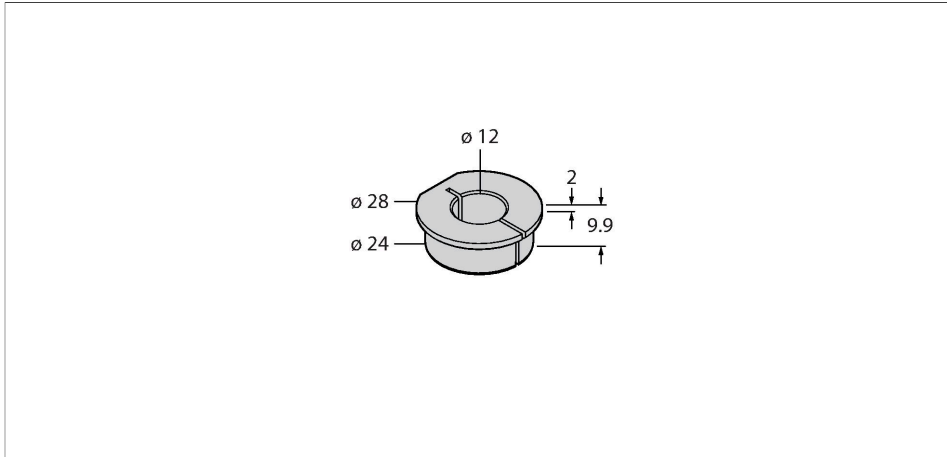
RA3-EQR24

Accessories – Adapter Sleeve

For Encoders RI-QR24

Features

- Adapter sleeve 12 mm
- Stainless steel: 1.4404 V4A



Technical data

Type	RA3-EQR24
ID	1593020
Housing material	Stainless steel, 1.4404 (AISI 316L)