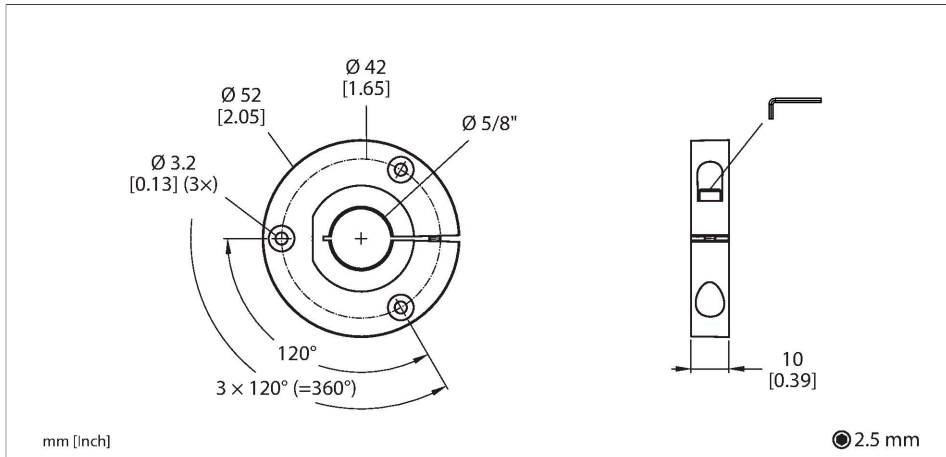


P10-RI-QR24

Accessories – Positioning Element For Encoders RI-QR24



Technical data

Type	P10-RI-QR24
ID	1593013
Housing material	Metal/plastic

Features

- Positioning element, for Ø 5/8" shafts