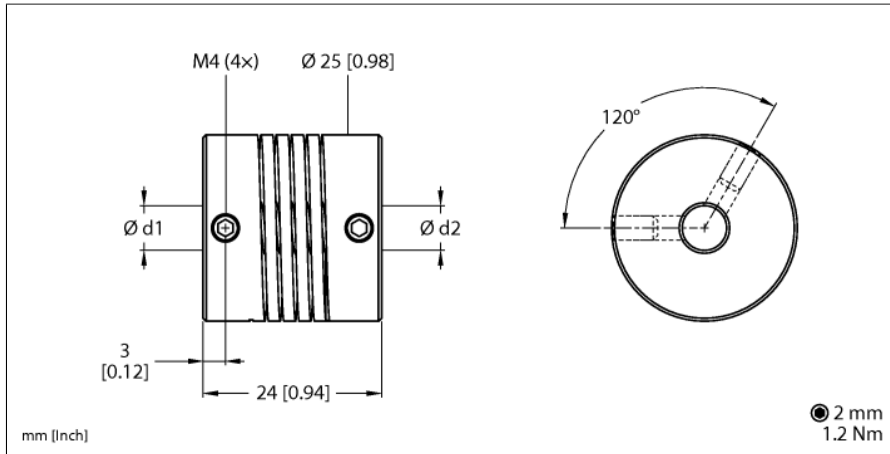


Accessories

Shaft Coupling Helix Coupling

For Solid Shaft Encoders

RA-HC-25-10-12



Type	RA-HC-25-10-12
ID	100048797
Max. rotational speed	8000 rpm
Ambient temperature	-30...+150 °C

Helix coupling made of aluminum Ø 25 mm
 Max. torque: 100 Ncm
 Max. shaft offset:
 Radial: ±0.3 mm
 Axial: ±0.5 mm
 Angular: ±4°
 Torsion spring stiffness: 20 Nm/wheel
 Radial spring stiffness: 60 N/mm
 Moment of inertia: 22.2 gcm²
 Material: aluminum
 Bore diameter d1 = 10 mm, d2 = 12 mm