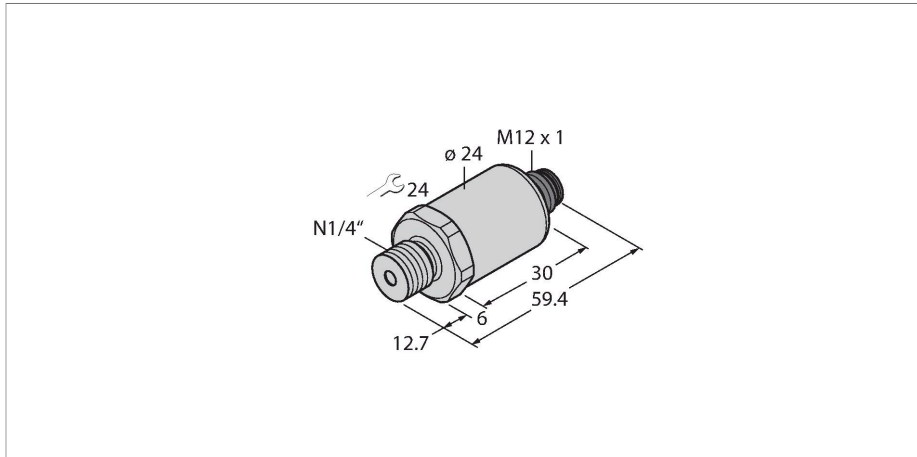


# PT3500PSIG-2003-U6-H1143/X

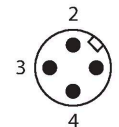
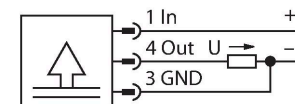
## Pressure Transmitter – Ratiometric Output (3-Wire)



### Features

- Fully welded metal measuring cell
- Pressure range 0...3500 psi rel.
- Pressure peak orifice
- 5 VDC  $\pm$  10 %
- Ratiometric output 10...90 %
- Process connection 1/4"-18 NPT male thread
- Plug-in device, M12  $\times$  1

### Wiring diagram



### Functional principle

The pressure sensors in the PT...-2000 product series operate with a fully welded metal measuring cell in various pressure ranges of up to -1...1000 bar in 2-, 3- or even 4-wire technology. Depending on the sensor variant, the processed signal is available as an analog output signal (4...20 mA, 0...10 V, 0...5 V, 1...6 V, ratiometric) or as a digital IO-Link process parameter. The IO-Link sensor variants also have two independently configurable switching outputs. In addition to the standard variants, there are special sensors for uses such as ATEX areas or for oxygen applications. A wide range of process connections and electrical connections offer a high degree of flexibility in a wide range of applications.

### Technical data

Type	PT3500PSIG-2003-U6-H1143/X
ID	100048323
Medium temperature	-40...+135 °C
Pressure type	Relative pressure
Pressure range	0...241.32 bar
	0...3500 psi
	0...24.13 MPa
Admissible overpressure	$\leq$ 750 bar
Burst pressure	$\geq$ 1500 bar
Response time	< 2 ms, typ. 1 ms
Long-term stability	$\pm$ 0.25 % FS, according to IEC EN 60770-1
<b>Power supply</b>	
Operating voltage $U_b$	4.5...5.5 VDC
Current consumption	$\leq$ 7 mA
Short-circuit/reverse polarity protection	yes / yes
Insulation class	III
<b>Outputs</b>	
Output 1	Analog output
Output function	ratiom. 10...90%
<b>Analog output</b>	
Voltage output	0.5...4.5 V
Load	$\leq$ 100 nF / $>$ 10 k $\Omega$
Resolution	$<$ $\pm$ 0.1 % FS

## Technical data

Accuracy LHR	±0.3 % FS (typical; max. ±0.5 % FS)
<b>Mechanical data</b>	
Housing material	Stainless-steel/Plastic, 1.4404 (AISI 316L)/polyarylamide 50 % GF UL 94 V-0
Process connection	1/4" NPT-18 male thread
Pressure connection material	Stainless steel 1.4404 (AISI 316L)
Material pressure transducer	Stainless steel 1.4435 (AISI 316L)
Wrench size pressure connection / coupling nut	24
Max. tightening torque of housing nut	20 Nm
Electrical connection	Connector, M12 × 1
Protection class	IP67
<b>Environmental conditions</b>	
Ambient temperature	-30...+85 °C
Storage temperature	-50...+100 °C
Shock resistance	100 g, 11 ms, half sinusoidal curve, all 6 directions, free fall from 1 m onto concrete (6x) acc. to IEC 68-2-27
Vibration resistance	20 g, 15...2000 Hz, 15...25 Hz with amplitude ± 15 mm, 1 octave/minute in all 3 directions, 50 continuous loads
<b>Tests/approvals</b>	
UL registration number	E302799
<b>Reference conditions acc. to IEC 61298-1</b>	
Temperature	15...+25 °C
Atmospheric pressure	860...1060 hPa abs.
Humidity	45...75 % rel.
Auxiliary power	24 VDC
<b>Temperature behaviour</b>	
MTTF	1564 years acc. to SN 29500 (Ed. 99) 40 °C
<b>Technical data</b>	
Type	PT3500PSIG-2003-U6-H1143/X
ID	100048323
Pressure type	Relative pressure
Pressure range	0...241.32 bar
	0...3500 psi
	0...24.13 MPa
Admissible overpressure	≤ 750 bar

## Technical data

Burst pressure	≥ 1500 bar
Response time	< 2 ms, typ. 1 ms
Long-term stability	0.25 % FS, according to IEC EN 60770-1
<b>Power supply</b>	
Operating voltage U <sub>B</sub>	4.5...5.5 VDC
Current consumption	≤ 7 mA
Short-circuit/reverse polarity protection	yes / yes
Protection class	IP67
Insulation class	III
Insulation voltage	750 VDC
<b>Outputs</b>	
Output 1	Analog output
Output function	ration. 10...90%
<b>Analog output</b>	
Voltage output	0.5...4.5 V
Load	≤ 100 nF/> 10 kΩ
Resolution	<± 0.1 % FS
Accuracy LHR	±0.3 % FS (typical; max. ±0.5 % FS)
<b>Temperature behaviour</b>	
Medium temperature	-40...+135 °C
Temperature coefficient	± 0.2 % of full scale/10 K
<b>Environmental conditions</b>	
Ambient temperature	-30...+85 °C
Storage temperature	-50...+100 °C
Vibration resistance	20 g, 15...2000 Hz, 15...25 Hz with amplitude ± 15 mm, 1 octave/minute in all 3 directions, 50 continuous loads, acc. to IEC 68-2-6
Shock resistance	100 g, 11 ms, half sinusoidal curve, all 6 directions, free fall from 1 m onto concrete (6x) acc. to IEC 68-2-27
<b>Mechanical data</b>	
Housing material	Stainless-steel/Plastic, 1.4404 (AISI 316L)/polyarylamide 50 % GF UL 94 V-0
Pressure connection material	Stainless steel 1.4404 (AISI 316L)
Material pressure transducer	Stainless steel 1.4435 (AISI 316L)
Process connection	1/4" NPT-18 male thread
Wrench size pressure connection / coupling nut	24
Electrical connection	Connector, M12 × 1

## Technical data

Max. tightening torque of housing nut 20 Nm

### Reference conditions acc. to IEC 61298-1

Temperature 15...+25 °C

Atmospheric pressure 860...1060 hPa abs.

Humidity 45...75 % rel.

Auxiliary power 24 VDC

### Tests/approvals

Approvals cULus

UL registration number E302799

MTTF 1564 years acc. to SN 29500 (Ed. 99) 40 °C