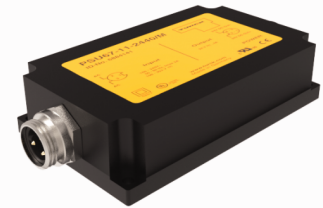
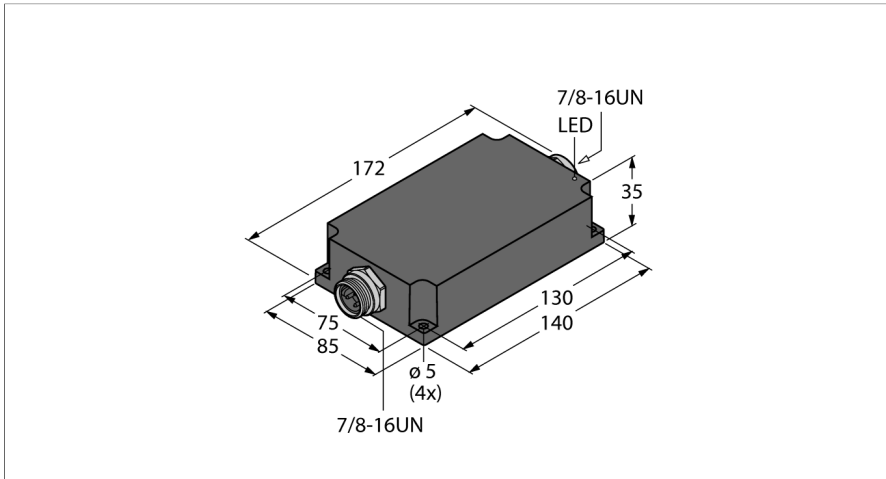


Compact power supply module in IP67

24 VDC output voltage - 3.8 A output current

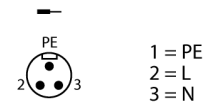
PSU67-11-2440/M/G



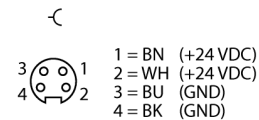
ID	100000556
Nominal voltage	Universal voltage supply unit
Operating voltage	100...240 VAC
Frequency	50...60 Hz
Operating voltage U _a	100...300 VDC
Power consumption	≤ 104 VA
Power dissipation, typical	≤ 11 W
External fuse	B10A, C10A
Mains buffering	U _i : 100...240 VAC/ 50 ms
Nominal output voltage	24
Nominal current	3.8
Overload protection	105...130 %
Parallel mode	no
Ripple	240
Short-circuit behaviour	Current limiting
Approval	CE-compliant UL certified RoHS compliant Safety extra low voltage SELV acc. to EN 60950-1: 2016 + A11: 2009 + A1: 2010 + A12: 2011 + A2: 2013 (Information technology equipment - safety) EN 61000-6-2: 2005 (Immunity) EN 61000-6-3: 2007 + A1: 2011 (Emission) EN 61000-3-2: 2006 + A1: 2009 + A2: 2009 (Harmonics)
Operational readiness	Green

- Broad temperature range
- Status LED
- AC and DC wide-range input
- Mains buffering up to 50 ms
- High efficiency
- No-load and short-circuit proof
- Natural air cooling
- Current limited to meet UL1310, NEC class 2

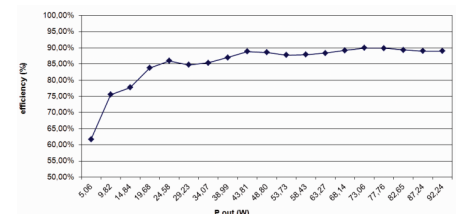
Input assignment 7/8" (XD1)



7/8" Output Assignment



Characteristic



Protection class	IP67
Ambient temperature	-25...+60 °C
Storage temperature	-40...+85 °C
Dimensions	85 x 172 x 35 mm
Weight	812 g
Housing material	Glass fiber-reinforced polyamide, PA66-GF25
Electrical connection	Connector
MTTF	87 acc. to SN 29500 (Ed. 99) 40 °C

Note

Pin 3 and 4 (GND) of the output are electrical-ly connected to the housing and to pin 1 (PE) of the input!