

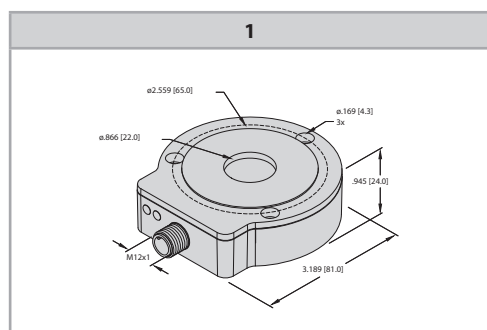
Rotary Inductive Sensors, IO-Link, QR24

Part Number	ID Number	Measuring Range	Resolution (16bit)	Ambient Temperature	Operating Voltage	IO-Link Data Telegram	Dimensional Drawing	Wiring Diagram
Ri360P0-QR24M0-IOLX2-H1141	1590975	0-360°	≤ 0.006°	-13 to +185 °F (-25 to +85 °C)	15-30 VDC	32-bit	1	1
Ri360P0-EQR24M0-IOLX2-H1141	1590978	0-360°	≤ 0.006°	-13 to +185 °F (-25 to +85 °C)	15-30 VDC	32-bit	1	1

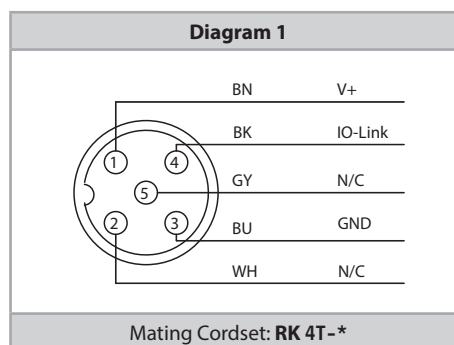
Technical Specifications:

Measuring principle:	inductive, absolute semi-multiturn	Housing:	QR24
Nominal distance:	1.5 mm	Dimensions:	81 x 78 x 24 mm
Repeat accuracy	≤ 0.01% of full scale	Housing material (QR24):	metal/plastic, ZnAlCu1/PBT-GF30-V0
Linearity deviation:	≤ 0.05% of full scale	Housing material (EQR24):	stainless steel/plastic V4A (1.4404) PA12-GF30
Temperature drift:	≤ ±0.003%/K	Shaft type:	hollow shaft
Residual ripple:	≤ 10% U _{ss}	Electrical connection:	M12 x 1
Isolation test voltage:	≤ 0.5 kV	Vibration resistance:	55 Hz (1 mm)
Wire-break/Rev. pol. protection:	yes/yes (supply voltage)	Vibration resistance	
IO-Link Specification:	Version 1.1	(EN 60068-2-6):	20 g, 10-3000 Hz, 50 cycles, 3 axes
IO-Link Telegram	16-bit single-turn 13-bit multiturn, 3 error bits	Shock resistance	
Sampling rate:	1000 Hz	(EN 60068-2-27):	100 g, 11 ms 1/2 sine, 3x each, 3 axes
Current consumption:	<50 mA	Continuous Shock resistance	
Programming:	FDT/DTM	(EN60068-2-29):	40 g, 6 ms 1/2 sine, 4000x each, 3 axes
Communication mode:	COM 2 (38.4 kBaud)	Degree of protection:	IP68/IP69K
Minimum cycle time:	3 ms	Power-on indication:	LED, green
Function Pin 4:	IO-Link	Measuring range indication:	LED, yellow, yellow flashing
Included in the SIDI GSDML:	Yes		

Dimensions:



Wiring Diagrams:



* Length in meters.