

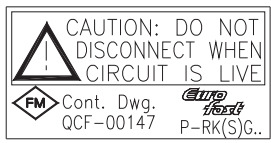
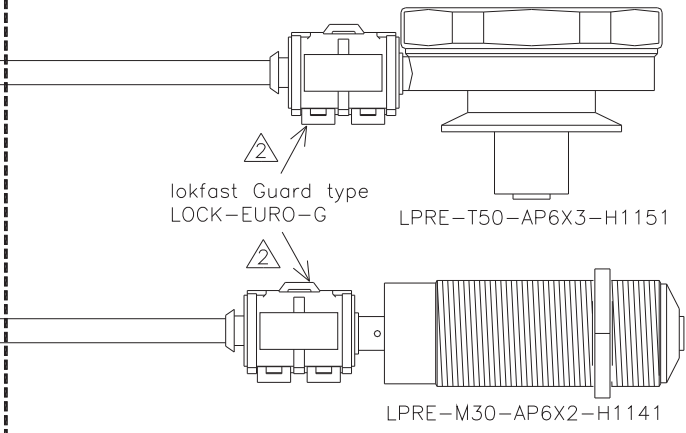
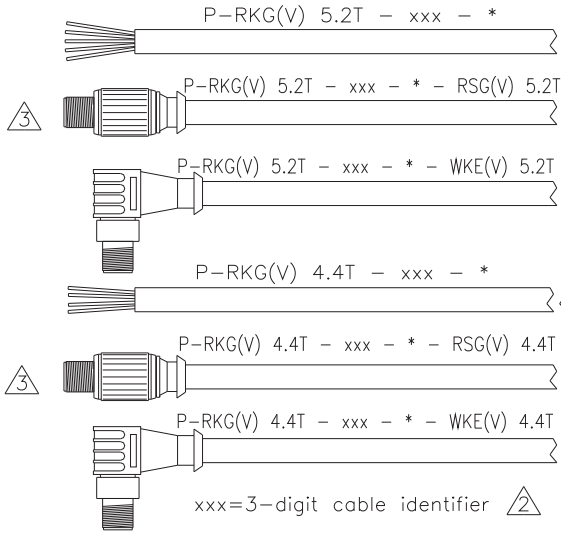
FM Approved Level Sensors

Levelprox Level Sensors for Installation in Class 1, Division 2

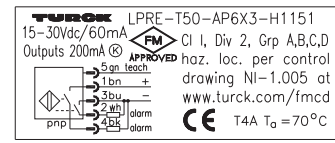


NON-HAZARDOUS LOCATION

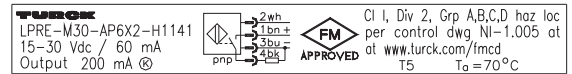
HAZARDOUS (CLASSIFIED) LOCATION
Class 1, Division 2, Groups A,B,C,D



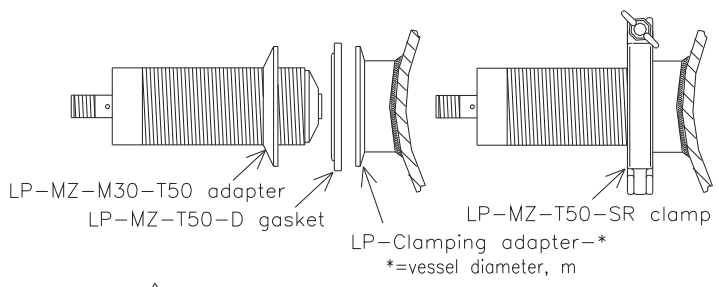
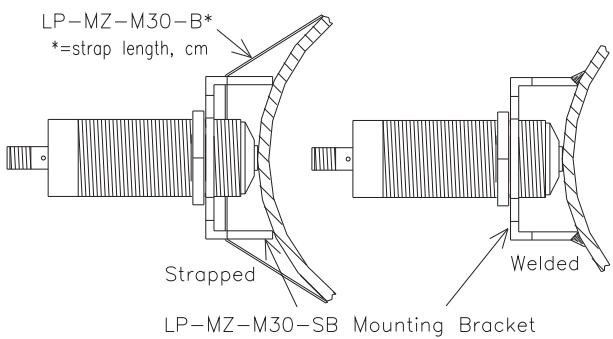
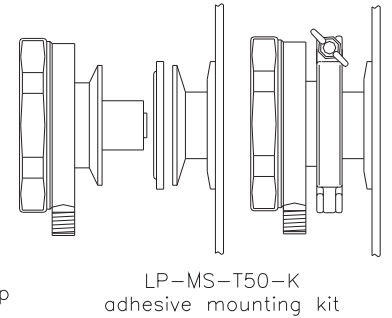
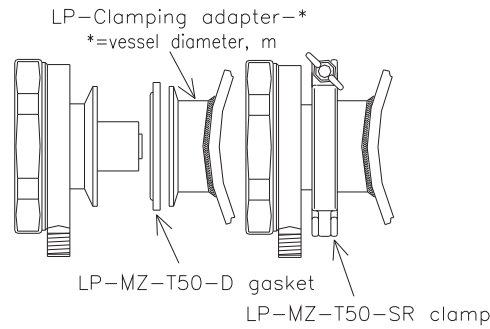
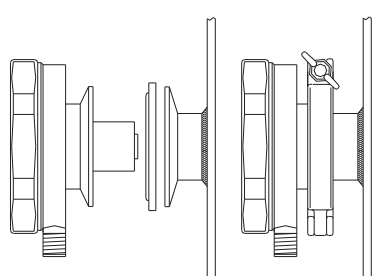
lokfast guard label detail



LPRE-T50-AP6X3-H1151 nameplate detail



LPRE-M30-AP6X2-H1141 nameplate detail



MOUNTING METHODS 4

Notes:

1. Wiring methods must be in accordance with Class 1, Division 2 wiring practices per the National Electrical Code (NEC), ANSI/NFPA 70, Article 501
2. The cables of the quick-disconnect cordsets shown must be ITC-rated. A lokfast connector guard LOCK-EURO-G must be used on all connections in Division 2.
3. Connected devices must have a maximum rated output voltage of ≤ 30 VDC
4. The devices must be installed using one of the mounting methods illustrated above.

NI-1.005	TURCK 3000 Campus Drive Plymouth, MN 55441 Phone: (763) 553-7300
Title: Control Drawing for FM Approved Levelprox Level Sensors	
Scale: NONE	Sheet 1 of 1

A	Release	BVL	10/7/05
Rev	Description	Drft	Date